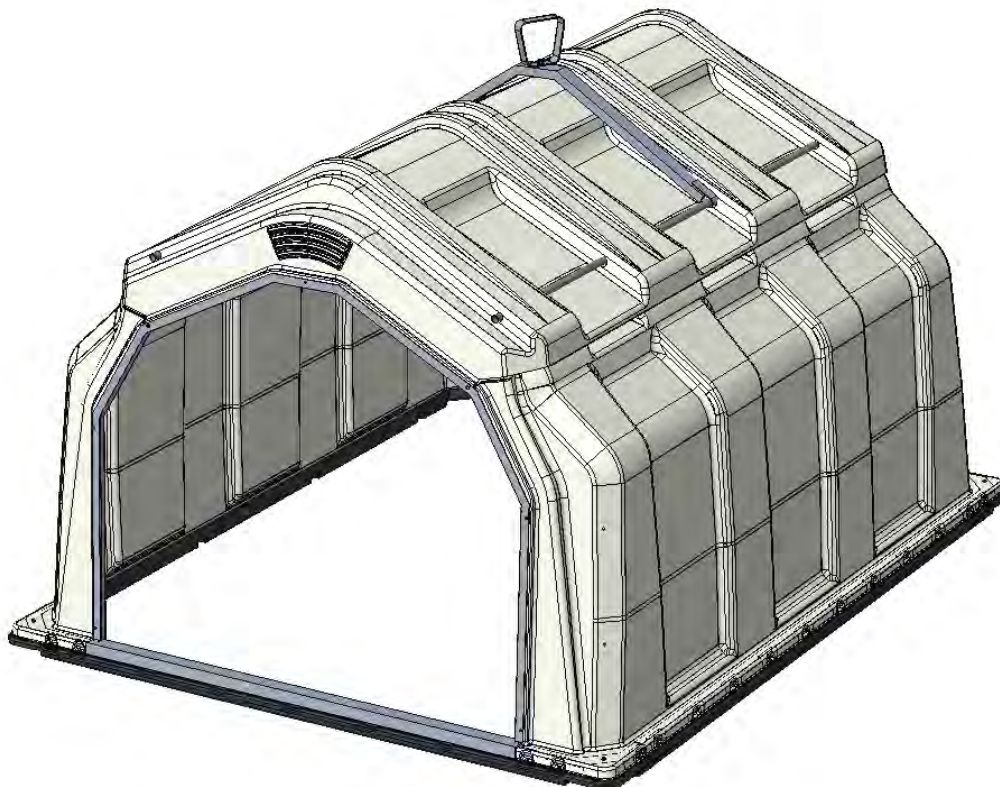




Mammoth Unit Assembly Instructions CTG-1000



Bill of Material:

Item	Item Number	Description	Qty
1	CTG-1001	Left Side Panel – Mammoth	1
2	CTG-1002	Right Side Panel – Mammoth	1
3	CTG-1003	Roof - Mammoth	1
4	CTG-1004	Steel Front Frame – Mammoth	1
5	CTG-1005	Back Panel – Mammoth	1
6	CTG-1011	Lifting Device - Mammoth	1
7	CTG-1016	Short Rail Base w/Steel - Mammoth	2
8	CTG-1017	Long Rail Base w/Steel - Mammoth	2
9	CTH-HDWE-018K	Assembly Hardware - Mammoth	1



Tools Needed:

1. **A HELPER**
2. ½ in Socket & Ratchet
3. ½ in Open End Wrench
4. 3/8" Drill Bit
5. Drill / Impact Driver
6. Rubber Mallet
7. Ladder

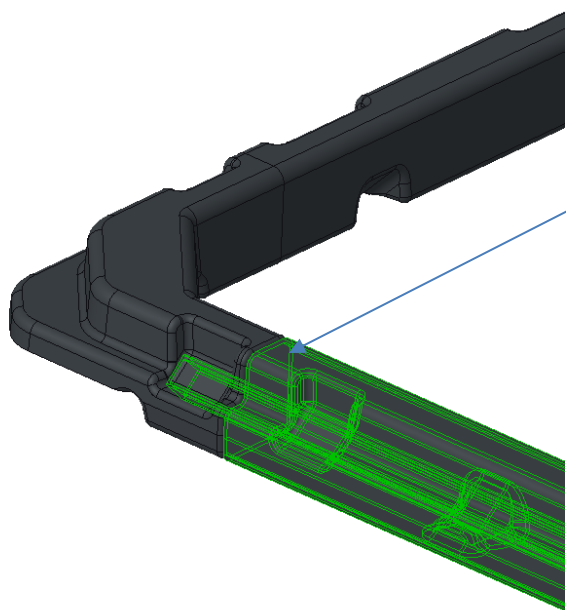
Assembly:

Step 1:

- Locate one of the long side and short side rail base components...the steel reinforcement pipe will already be inside of them.



- Connect the short side rail to the long side rail corner. The steel pipe will go into the corner

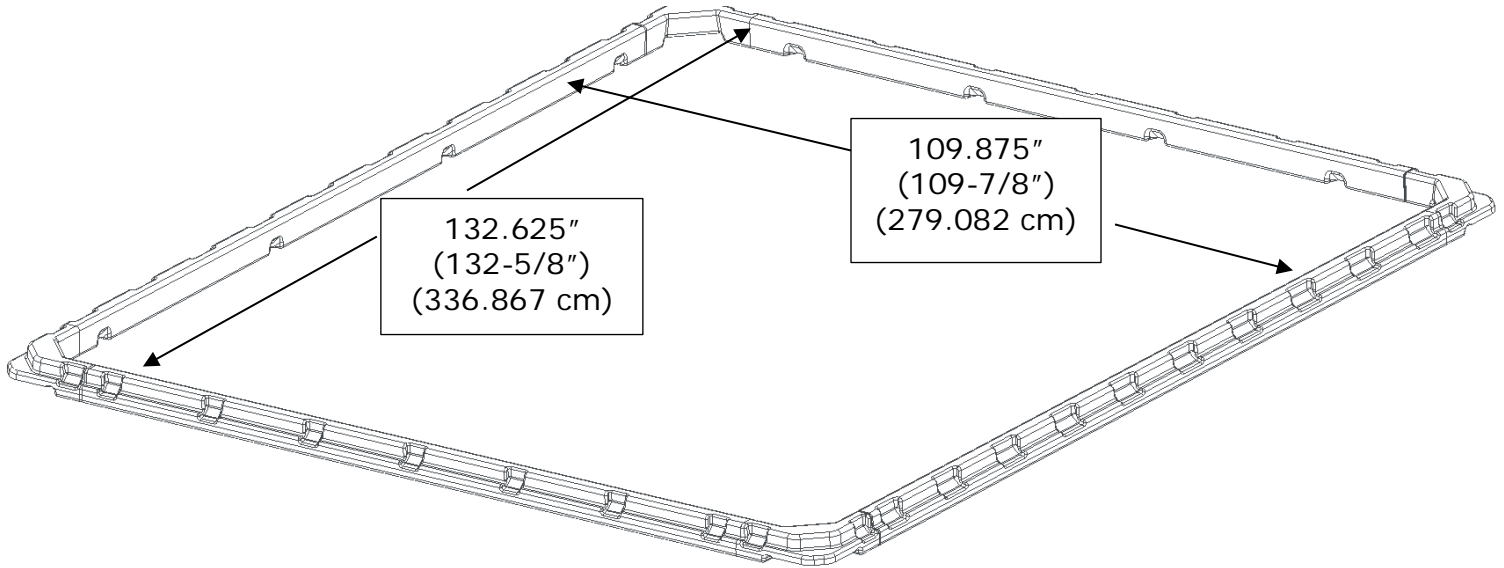


TIP:
Using a drywall screw to hold the intersection together, may help while connecting the other rail sections.



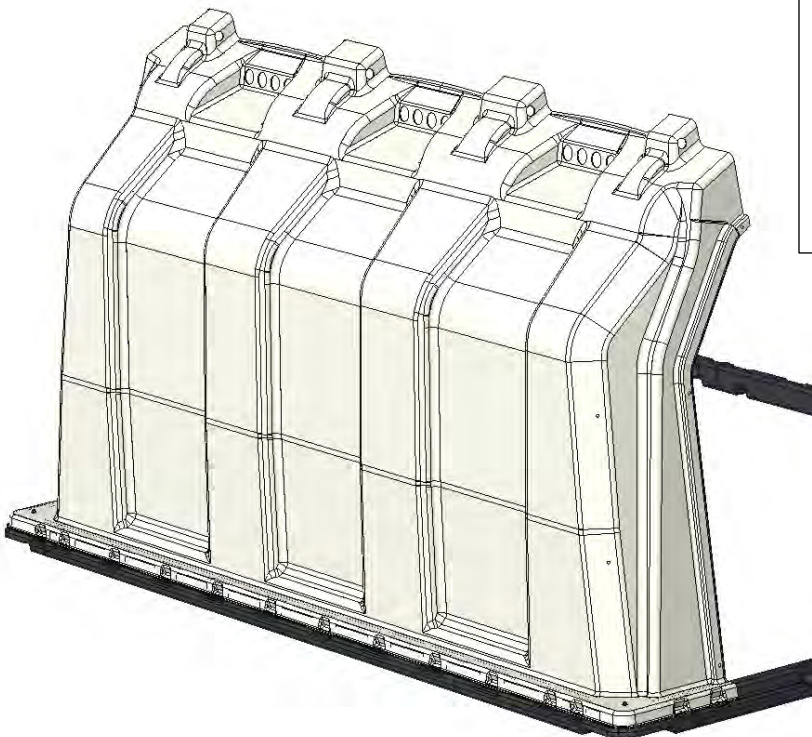
Step 2:

- Repeat Step 1 with the other 2 rail components to make the completed base.
- Dimensions from inside vertical surfaces help keep the base the correct size while completing the next steps



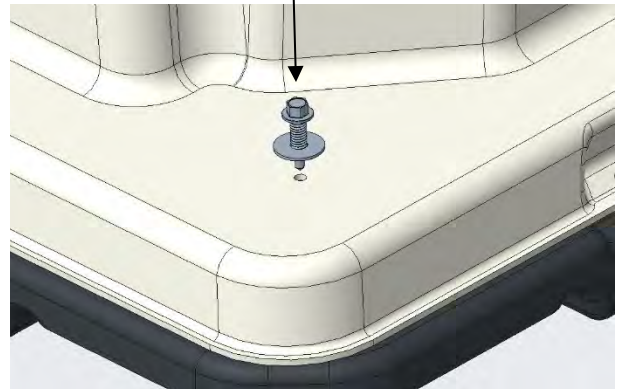
Step 3:

- Place the Left Side Panel on the plastic rail...indent features on the panel will align with the plastic rail.



Using a self-drilling screw and washer from the hardware kit, connect the side panel to the plastic rails in the corners to help hold it in position.

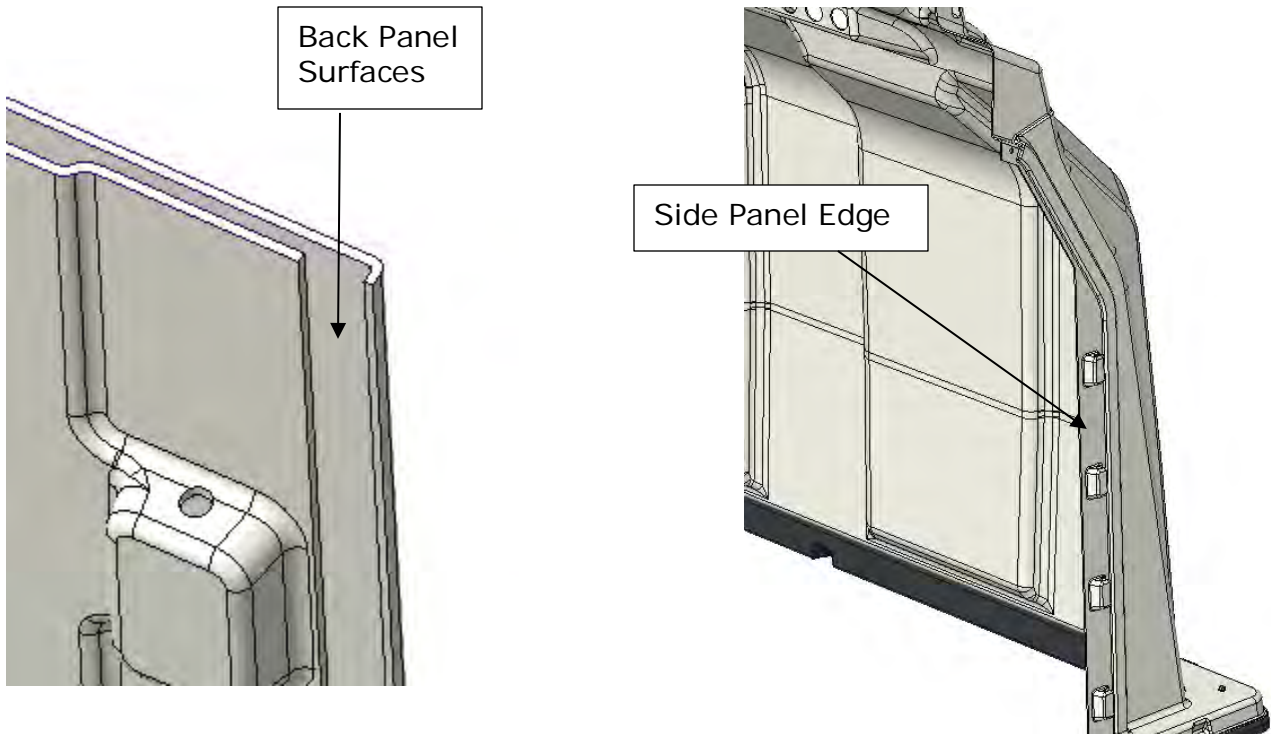
½" Socket on Impact Driver Used



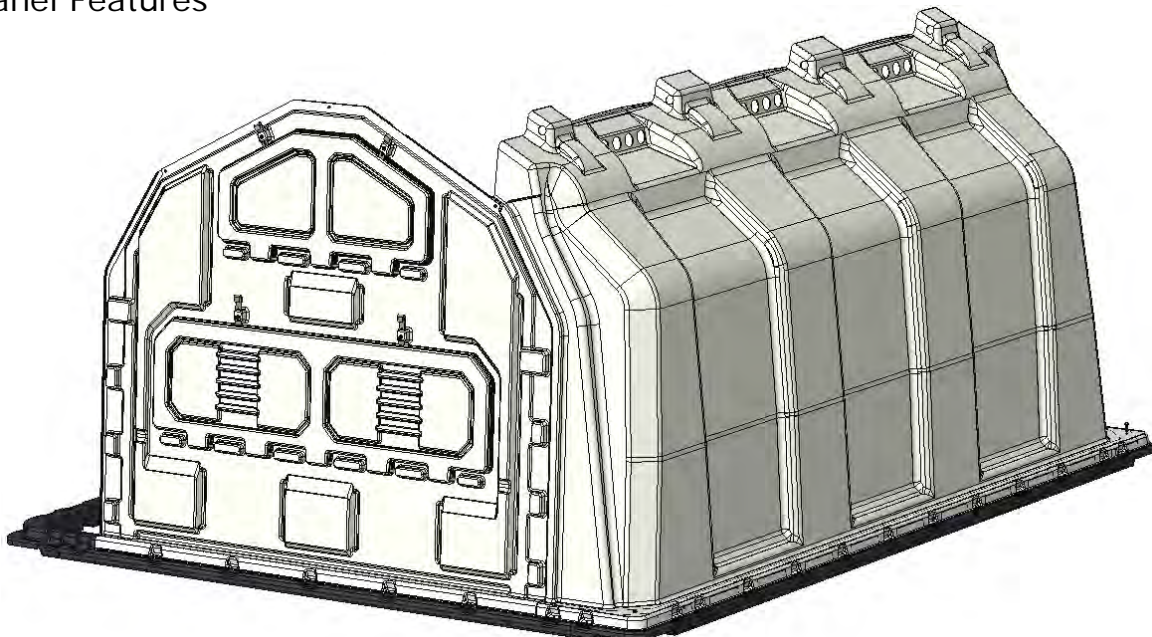


Step 4:

- Install the Back Panel by sliding the edge of the Side Panel in-between the two surfaces of the Back Panel edge.



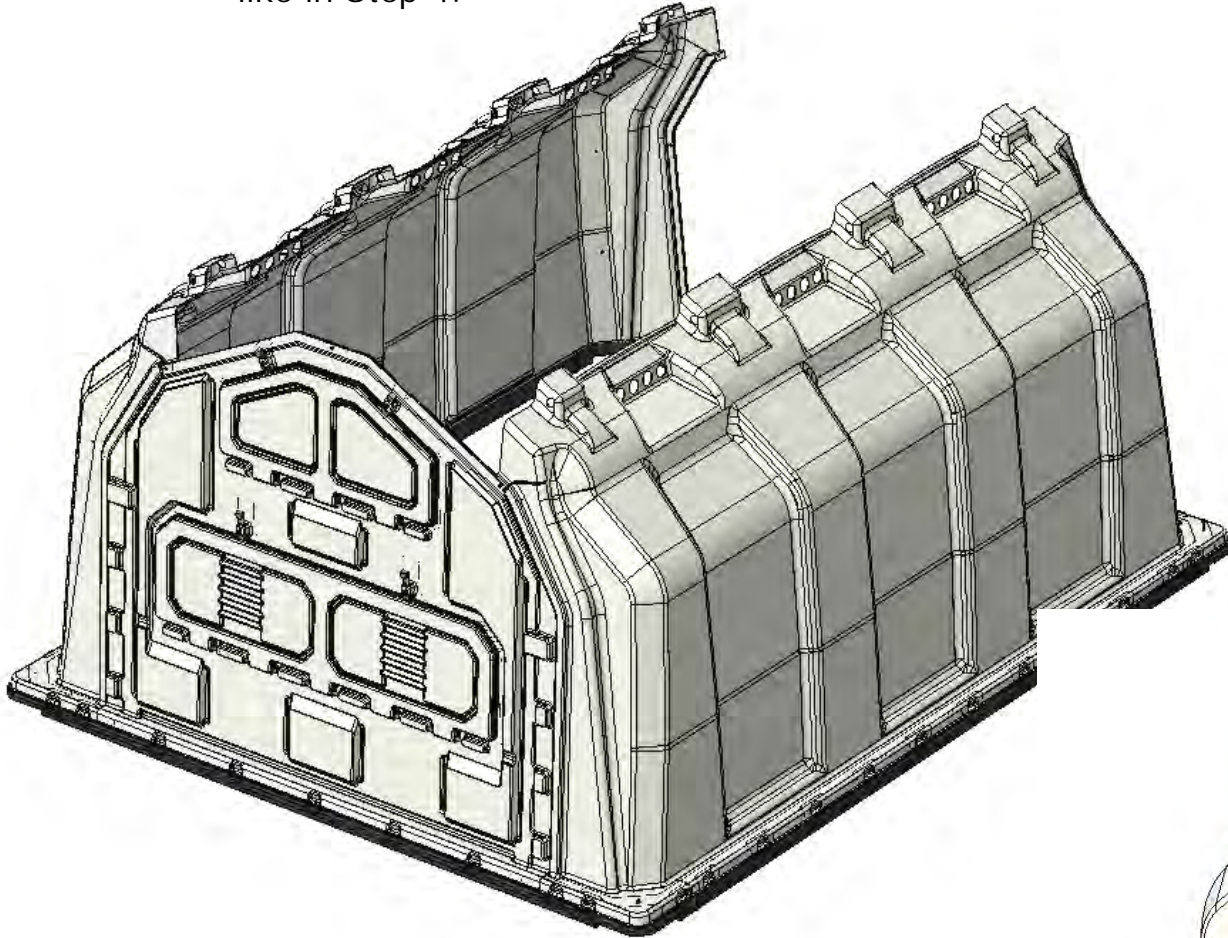
- A little force is needed to snap the Back Panel features over the top of the Side Panel Features



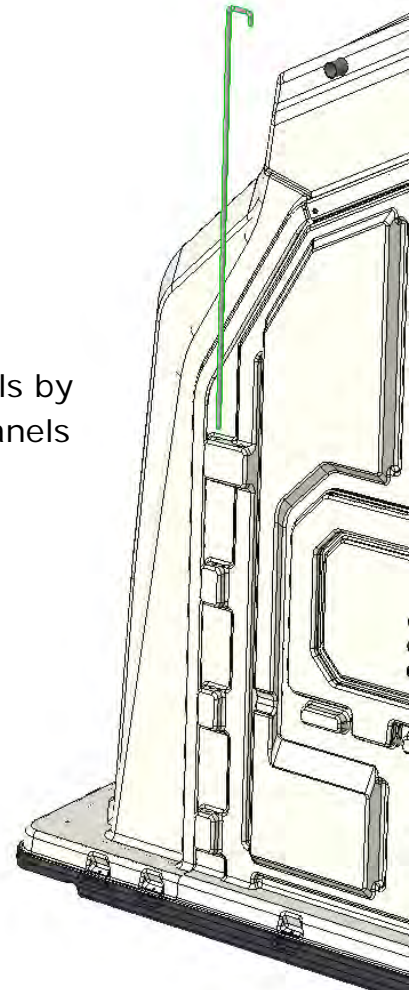


Step 5:

- As in Step 3...Continue with the Right Side Panel.
 - But before Screwing down the corners, slide the Side Panel into the Back Panel like in Step 4.



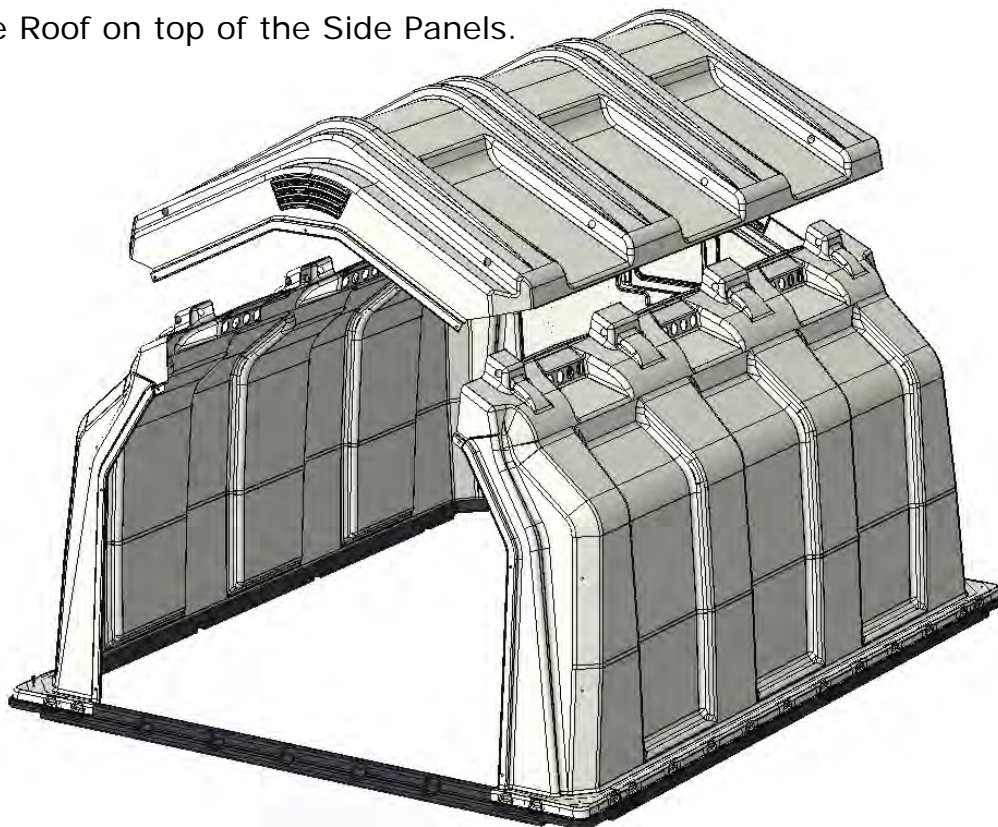
- Finish connecting the Back Panel to the Side Panels by the Rod through the corresponding holes in the Panels on both sides.





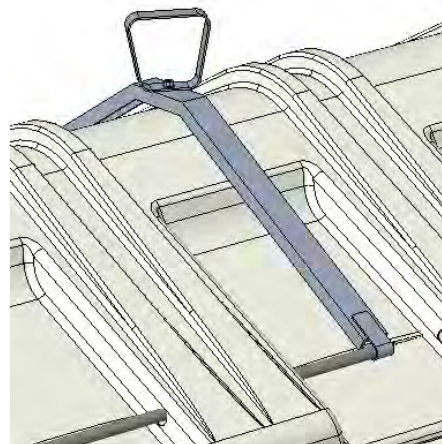
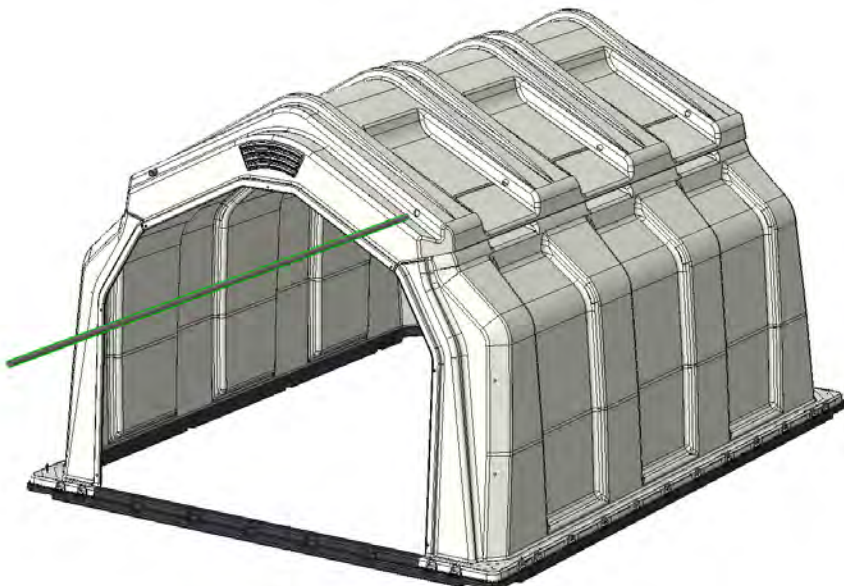
Step 6:

- Place the Roof on top of the Side Panels.



Step 7:

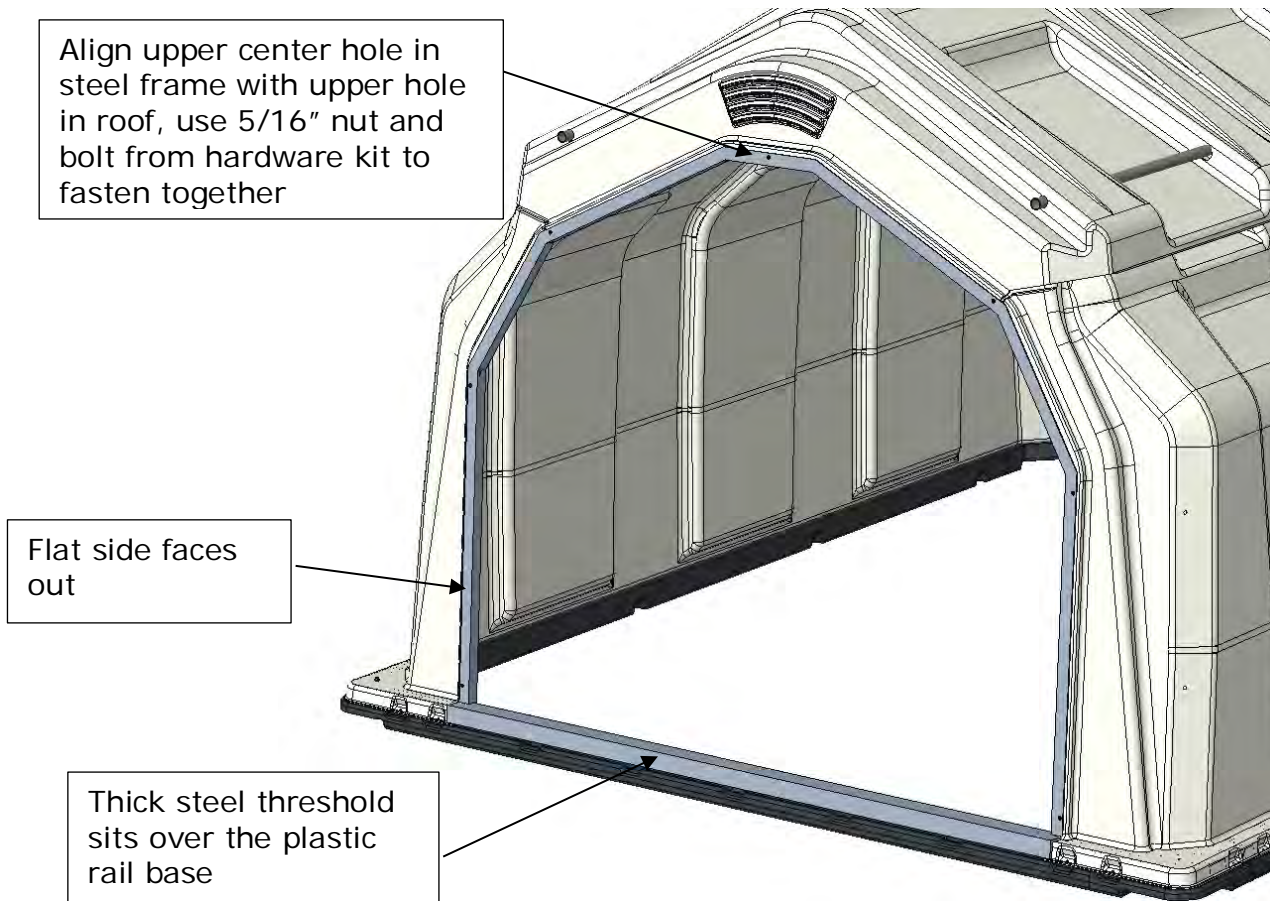
- To attach the roof, start by sliding the Round Pipes (2 per) through the corresponding holes in the roof and Side Panels. A helper inside the unit helps align the holes.
- Stop sliding the pipes about halfway, so the Unit Lifting Device can be installed.
 - Put the lifting device between the center two ribs of the roof, finish sliding the pipe through the holes in the roof and the brackets on the lifting device to secure it in place





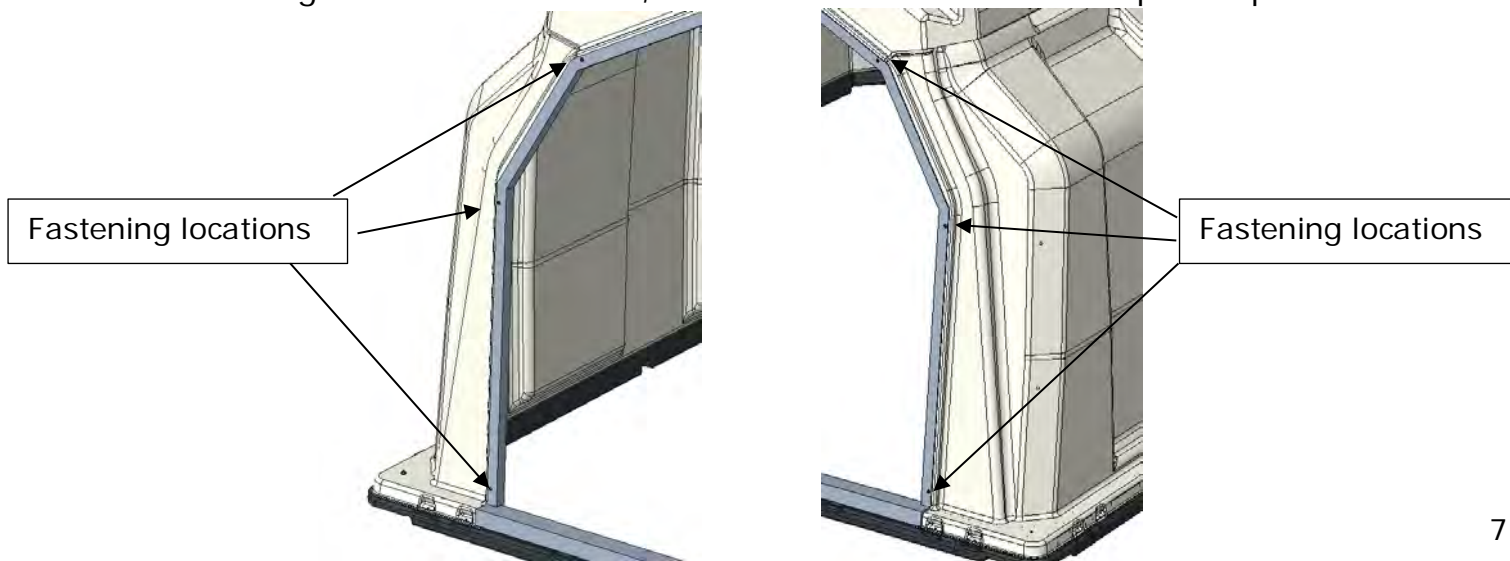
Step 8:

- Install the Steel Front Frame



Step 9:

- Using the 6 other holes in the steel frame as a template, transfer the hole locations to the plastic panels with a marker or drill through with a drill bit.
 - Using the same hardware, fasten the steel frame to the plastic panels.

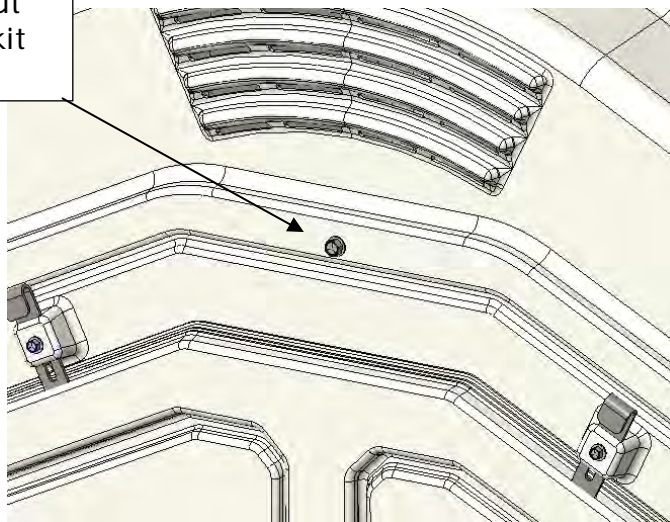




Step 10:

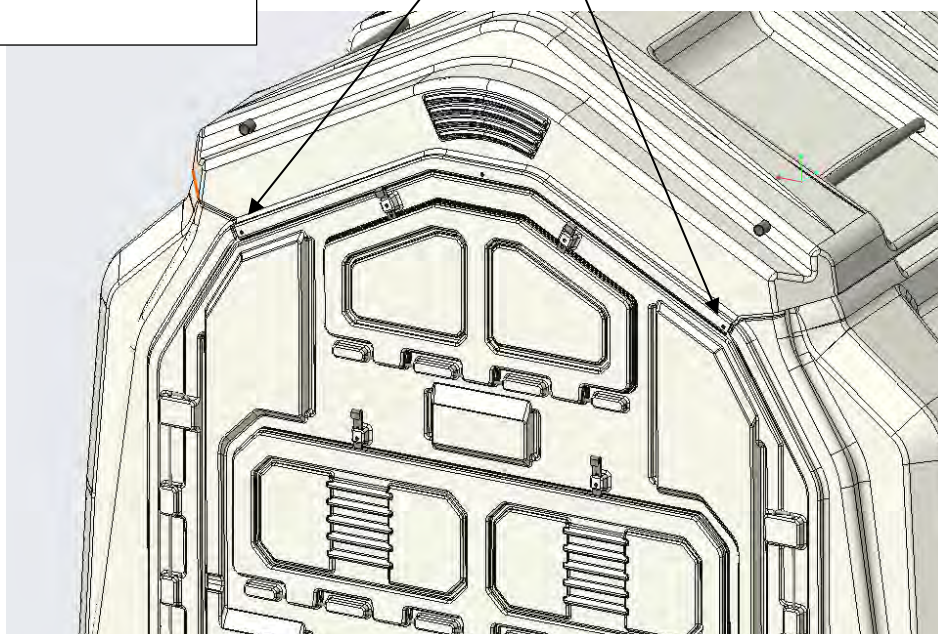
- Fasten the Back Panel to the Roof and Sides

Align upper center hole in the back panel with upper hole in roof, use 5/16" nut and bolt from hardware kit to fasten together



Transfer the hole locations to the panels...with a marker.. or drill through with a drill bit using the roof holes as a guide....use 5/16" nut and bolt from hardware kit to fasten together

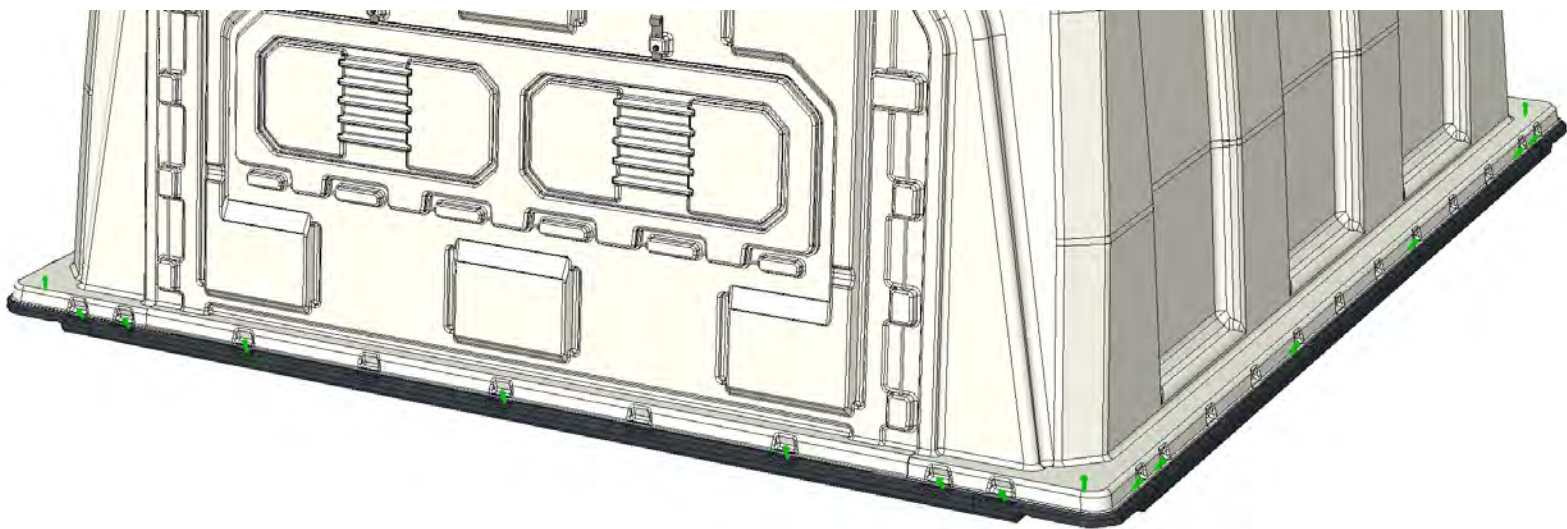
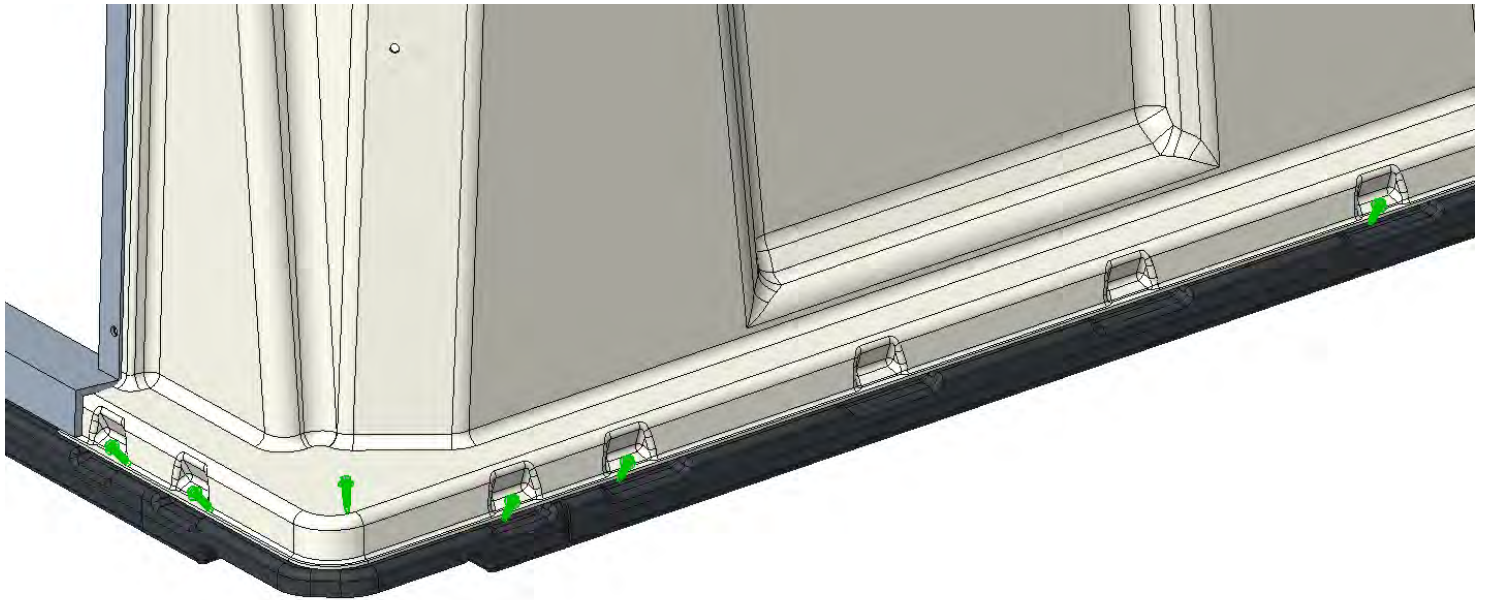
Fastening locations

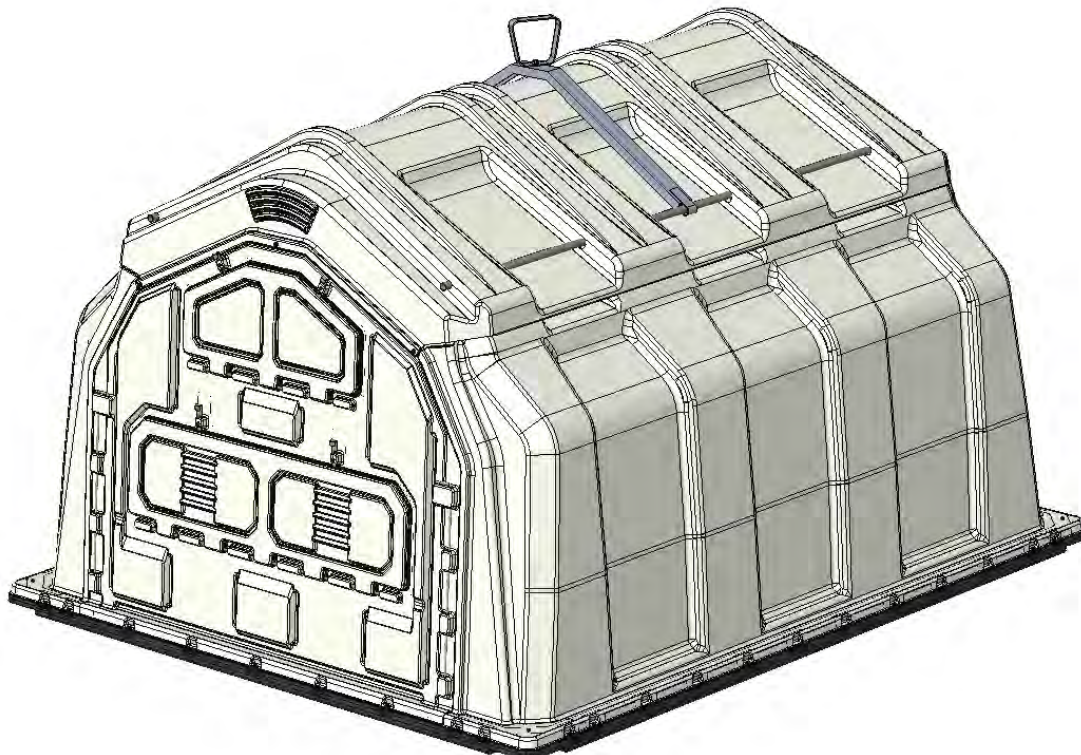
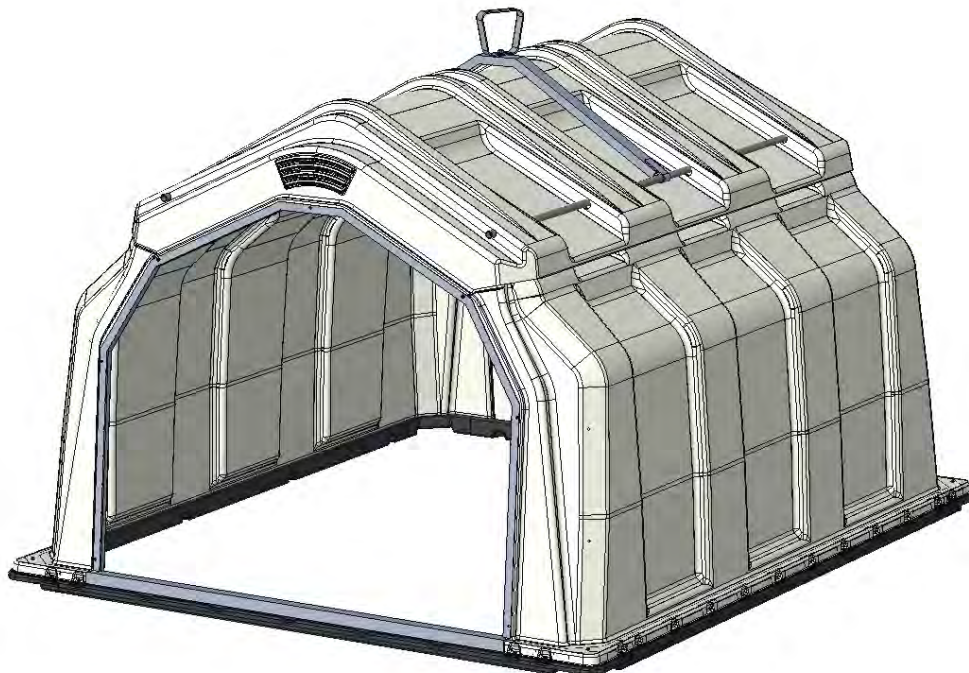




Step 11:

- Attach the panels to the Base Rails using the self-drilling screws and washers in the hardware kit and the impact driver / drill with ½" socket attached.
 - Use the 27 existing holes on the panels for location.
 - Keep the screw perpendicular with the plastic surface the hole is on, and push as the screw goes through the plastic rail and into the steel pipe





For Safety Reasons, the Mammoth should always be lifted using the supplied Lifting Device and should not be tipped up onto sides or ends.